



AXKID
ONE
+
2

Designed
in Sweden



UN regulation no. 129

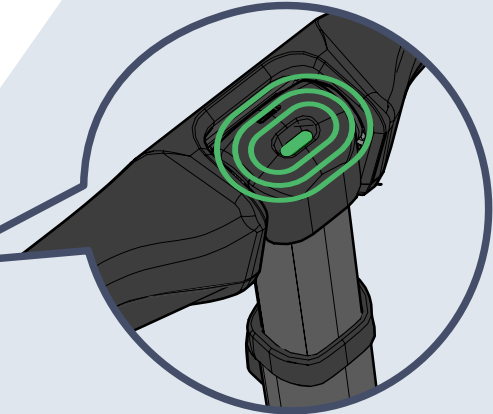
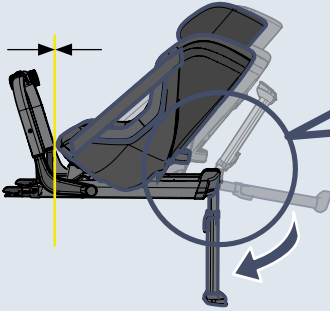
Instruction Manual

Axkid One+2 car seat 0-23kg, 40-125 cm

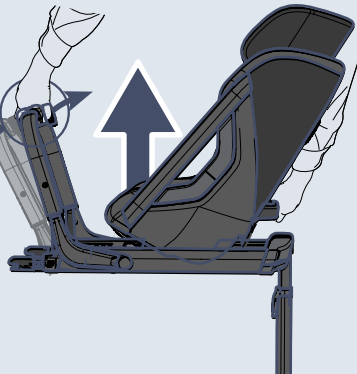
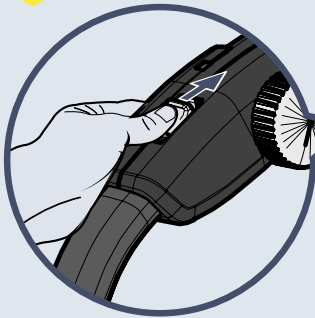
Axkid One 2 car seat 0-23kg, 61-125 cm



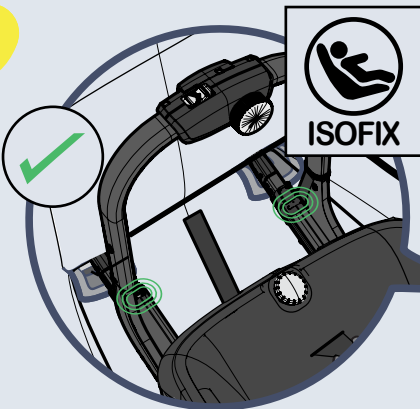
1



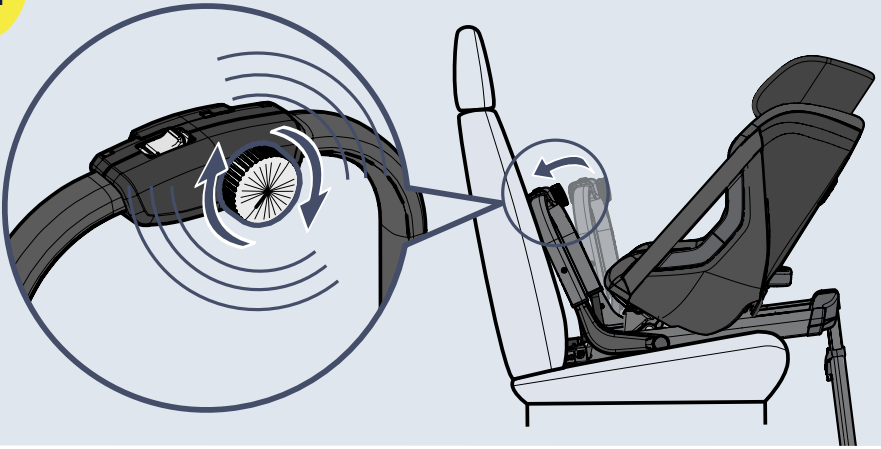
2



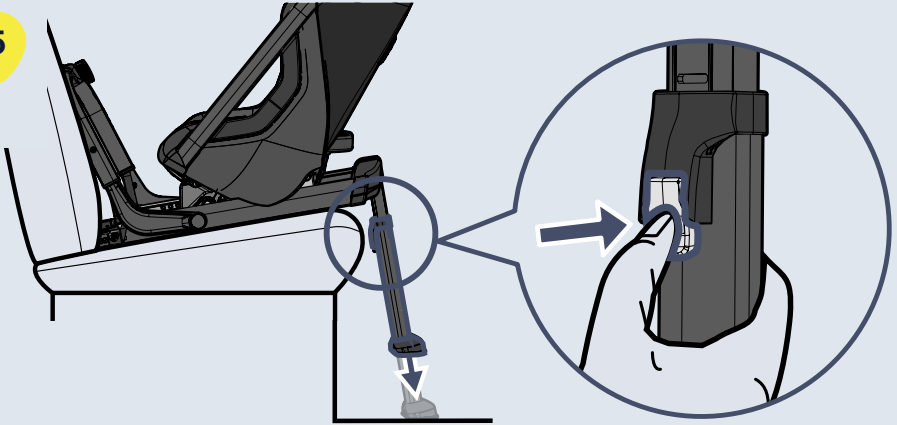
3



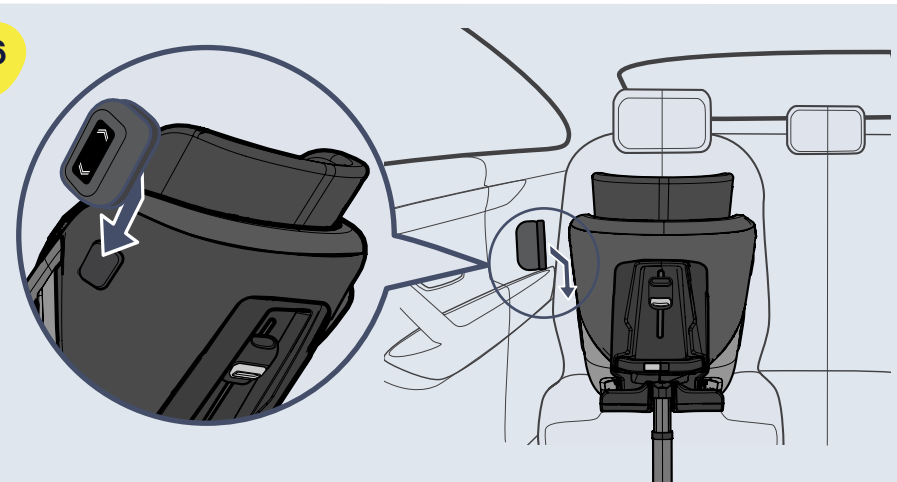
4



5

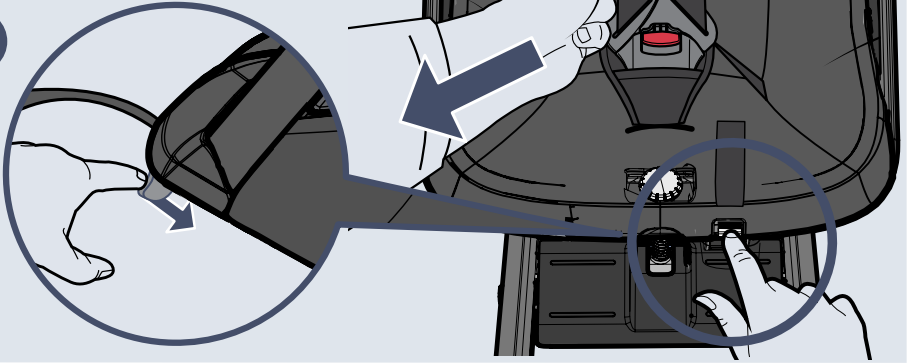


6

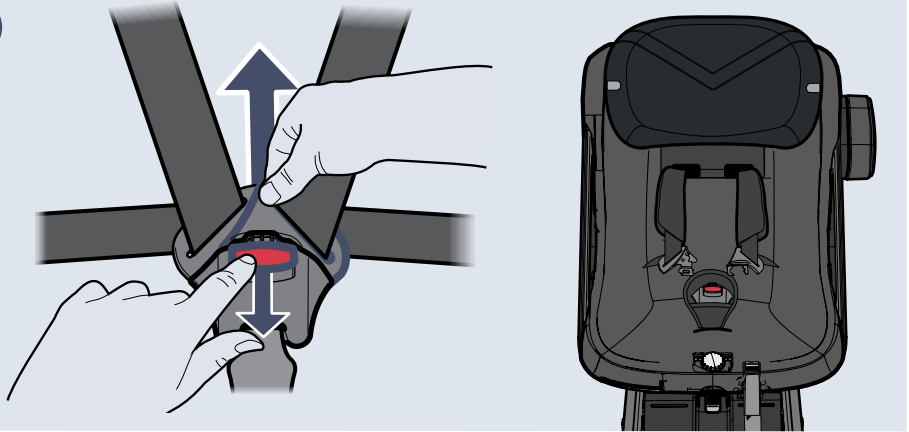




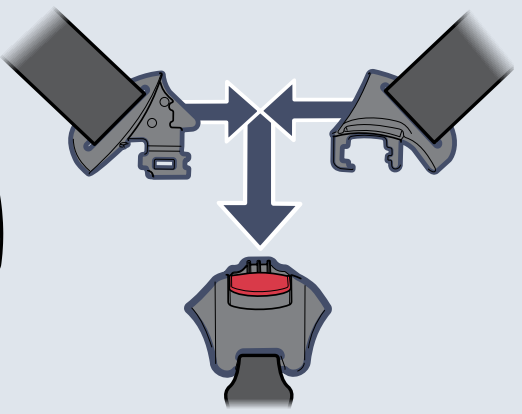
7



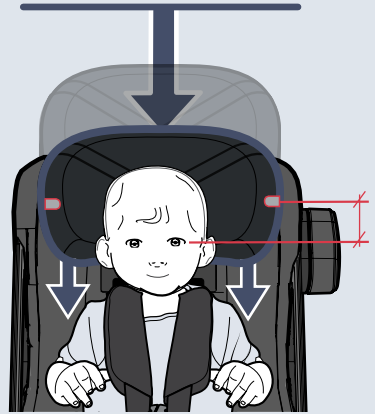
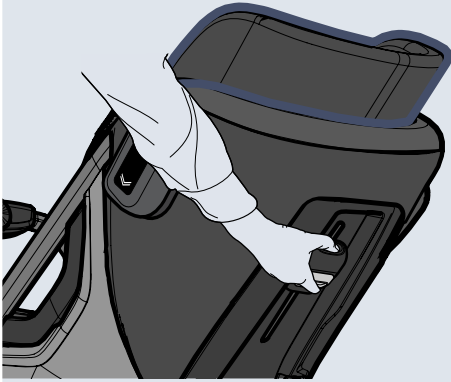
8



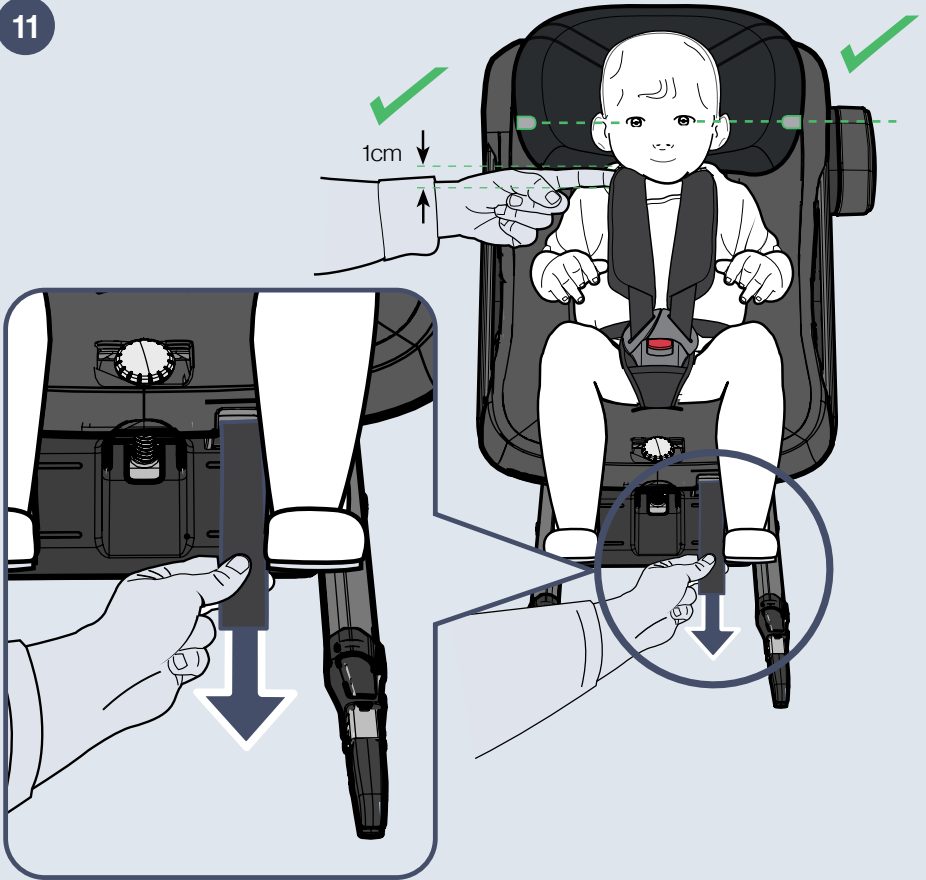
9

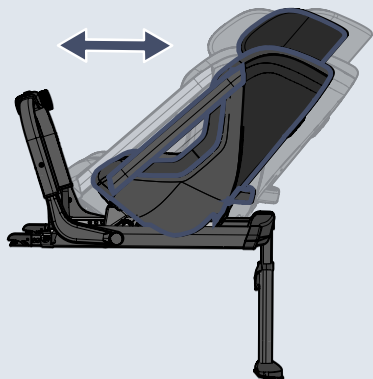


10



11

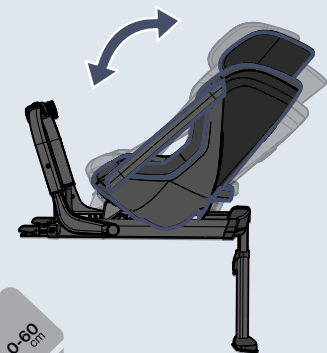
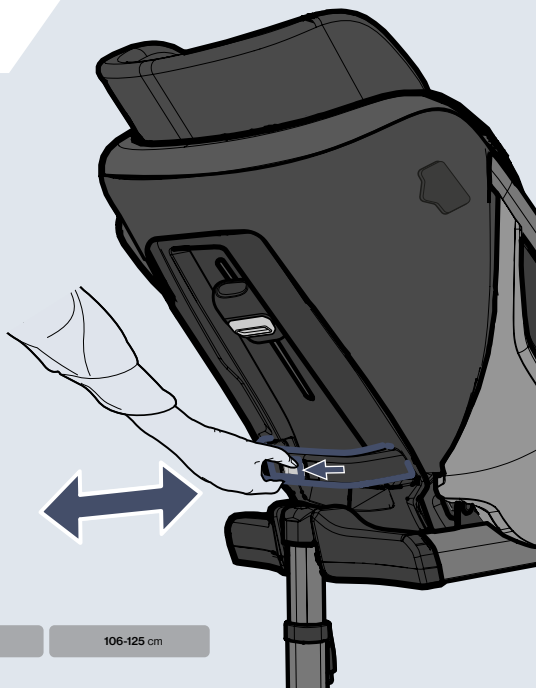




0-60 cm

61-105 cm

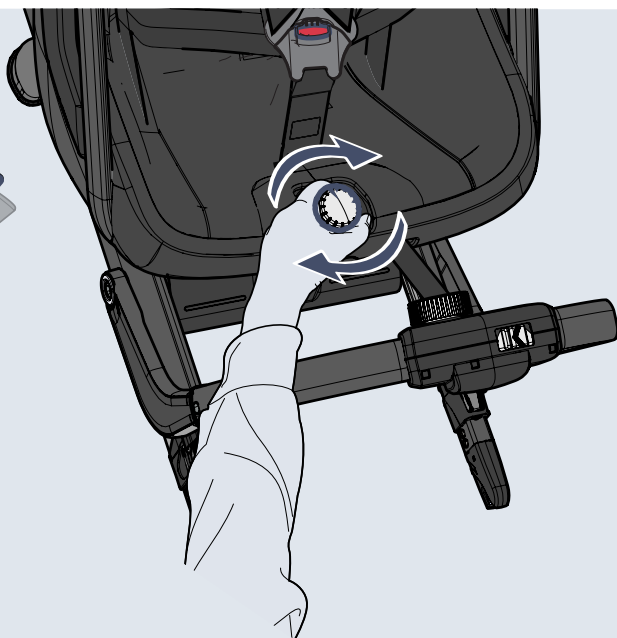
106-125 cm

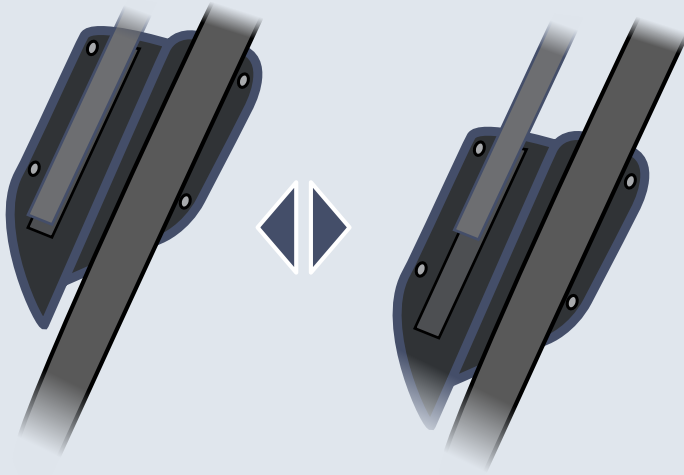


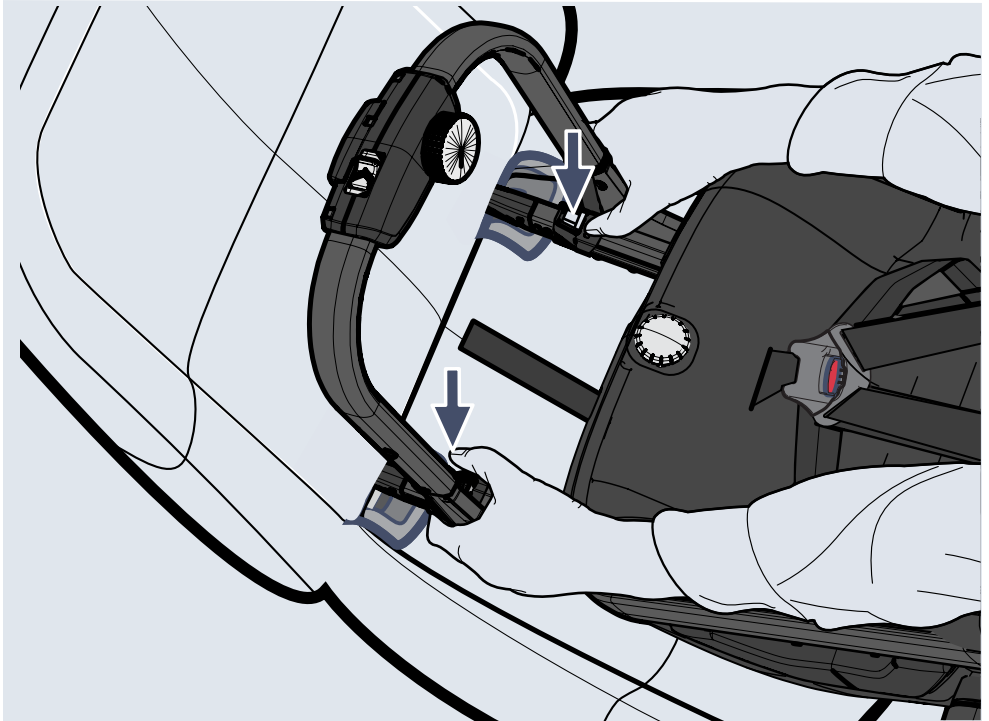
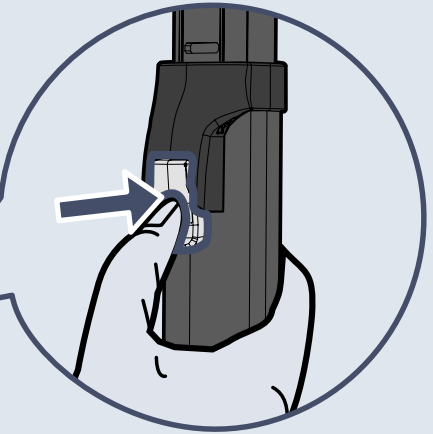
0-60 cm

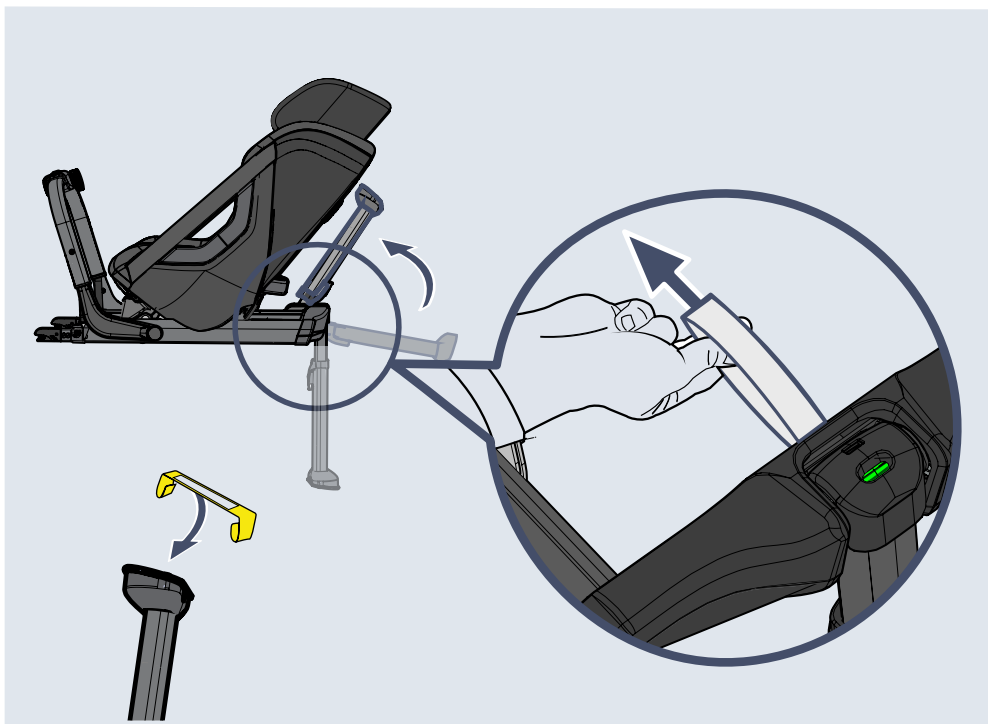
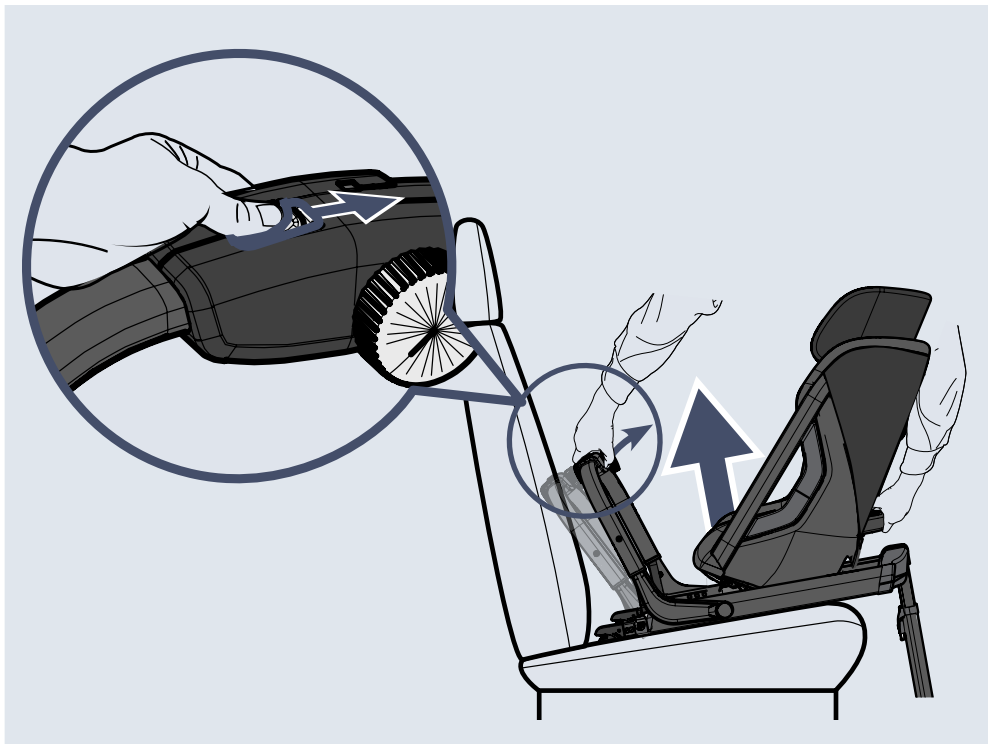
61-105 cm

106-125 cm









Sverige/Norge
Axxkid AB
www.axkid.com
info@axkid.com
Tel: (+46) 511 760 620

UK/Ireland
Axxkid Ltd
www.axkid.com
salesuk@axkid.com
Tel: (+46) 511 760 620

France
Axxkid AB
www.axkid.com
info@axkid.com
Tel (+33) 06 07 01 87 73

Deutschland
Axxkid GmbH
www.axkid.com
kundenservice@axkid.com
Tel: +(49) 60-99 84 89 05

España/Portugal
Independent Marketing
www.infobebe.es
info@infobebe.es
(+34) 952 561 000

Polsce
Junior Andrzej Kwapinski
Horbaczewskiego 4-6
54-130 Wroclaw Dh Astra Sklep
Poland Tel: +(48) 713 549 723

Czech Republic
Domecek pro deti
www.domecekprodeti.cz
info@domecekprodeti.cz
(+42) 0727 981 815

România
SC Baby Car seats
www.axkid.ro
maria@axkid.ro
(+40) 0747 35 47 47

New Zealand
Clicksafe
www.clicksafe.co.nz/axkid
axkid@clicksafe.co.nz
Tel: (+64) 212 504 215

Suomi
Lastentarvike
www.lastentarvike.fi
info@lastentarvike.fi
(+358) 09 852 05 100

Malaysia
SafenSound
www.safensound.com.my
may@safensound.com.my
(+60) 358 70 22 84

Greece
Serbia
LETO shop
www.letoshop.gr
christos@letoshop.gr
(+30) 211 102 67 30

Eesti
GreenHansa OÜ
www.beebipood.ee
riho@beebipood.ee
(+372) 5300 8000

Latvia
Muki
www.muki.lv
jurgis@muki.lv
(+371) 292 828 98

Lietuva
Kotryna Group
www.kotrynagroup.com
kotryna@kotryna.lt
(+370) 521 322 54

South Africa
Quality Imports SA & #Carseatfullstop
www.qualityimportssa.co.za
qualityimportssa@gmail.com
(+27) 11 789 7119

Ísland
Leiftur
www.leiftur.is
kristmann@leiftur.is
(+354) 821 25 37

AXXKID

EN	12-21
DE	22-31
ES	32-41
IT	42-51
FR	52-61
PL	62-71
SV	72-81
NO	82-91
DK	92-101
FI	102-111
LV	112-121
PT	122-131
RO	132-141
AR	142-151

Thank you for choosing Axxkid One

Read this instruction manual before installing Axxkid One car seat in your vehicle.
For more information and installation videos visit www.axxkid.com.

Axxkid One 2 car seat is a rear-facing car seat approved for children with a height between 61-125 cm or with a maximum weight of 23 kg.
Axxkid One+ 2 car seat is a rear-facing car seat approved for children with a height between 40-125 cm or with a maximum weight of 23 kg.

This is an i-Size Enhanced Child Restraint System. It is approved according to UN Regulation No. 129, for use in, i-Size compatible vehicle seating positions as indicated by vehicle manufacturers in the vehicle user's manual. If in doubt, consult either the Enhanced Child Restraint System manufacturer (www.axxkid.com) or the retailer.

Important information

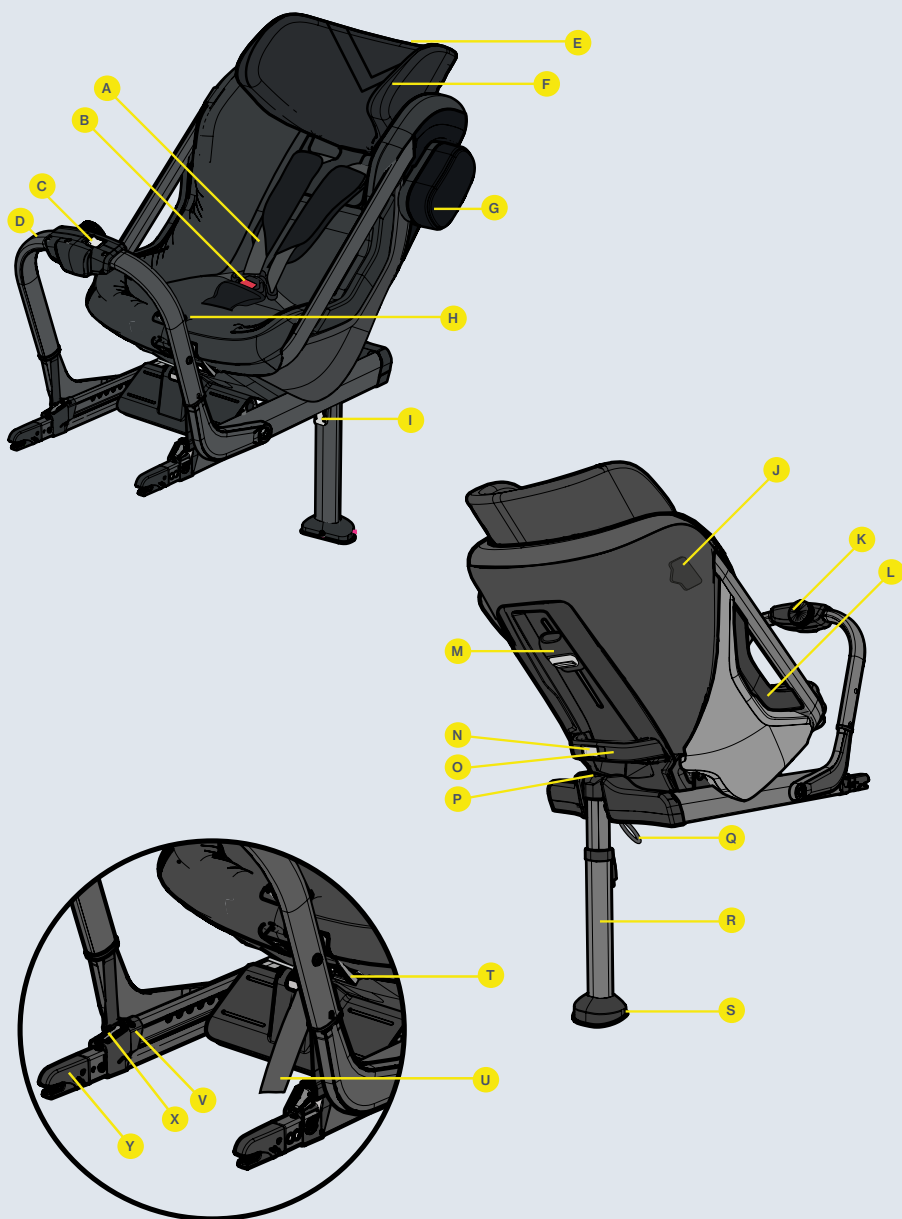
To maximize your child's safety, it is important that you keep following in mind:

- Always follow the instructions in this manual. An incorrect installation may seriously affect the safety for your child. If in doubt, contact your retailer who can demonstrate a correct installation.
- Keep this instruction manual for future reference. If manual is lost, you can find it online at www.axxkid.com
- Do not use Axxkid One car seat in a seating position where an active frontal airbag is fitted. If you still wish to install Axxkid One car seat in this location the airbag must be switched off according to the vehicle manufacturers instructions.
- Should you have an accident, no matter how small, your car seat should always be replaced. It may have damage that is nonvisual and could seriously affect the safety of your child. For this reason, Axxkid does not recommend purchasing secondhand car seats.
- If Axxkid One car seat has been exposed to direct sunlight, make sure the car seat is not too hot before installing your child.
- Never leave your child unattended in the vehicle.
- Ensure that any luggage or loose objects are secured in your vehicle as they may cause injuries to passengers in the event of an accident.
- Ensure that Axxkid One car seat is installed in a way where no parts become trapped by movable seats, car doors, etc.
- Axxkid One car seat may only be installed rear-facing.
- Always make sure that the harness is adjusted to correctly fit your child's body. The harness is adjusted by moving the head support.
- Make sure that the child's back is pushed against the car seat when restraining your child with the harness.
- Always make sure that the harness is firmly tightened against your child and that the buckle is completely locked, you should not be able to pinch the straps.
- Make sure there is no twist in the harness.
- Always make sure the support-leg is in its correct position and have contact with the vehicle floor. Check that the indicator on top of the support-leg is green and that you don't hear any beeping sound from the support-leg foot.
- Do not attempt to disassemble nor modify any part of Axxkid One car seat. The warranty and the safety performance of Axxkid One car seat could be affected if doing so.
- Never use Axxkid One car seat without the seat textile cover. The seat textile cover is a safety feature and may only be replaced with an Axxkid original seat textile cover.
- Read the vehicle handbook to find which seating positions is suitable for this seat.
- Axxkid recommends to always use a seat protection to protect your vehicle seat from scratches and dirt.
- If any doubts, contact the retailer where the car seat was purchased or contact info@axxkid.com

Table of content

Parts	14
Allowed and disallowed positioning of Axxkid One car seat	16
Installing Axxkid One car seat in the vehicle	17
Restraining your child in Axxkid One car seat	18
Seat adjustments	19
Adjusting Axxkid One car seat	19
Removing Axxkid One car seat from the vehicle	20
Care and maintenance	20
Warranty	21

Parts



Shoulder straps (A)	Headrest adjustment buttons (M)
Buckle release button (B)	Legroom adjustment button (N)
Front brace release button (C)	Back handle (O)
Front brace (D)	Support-leg position indicator (P)
Headrest (E)	Support-leg release strap (Q)
Eye level indicator (F)	Support-leg (R)
ASIP pad (G)	Sound indicator (S)
Recline position knob (H)	Harness release button (T)
Support-leg button (I)	Harness tension strap (U)
ASIP connector (J)	ISOFIX locking indicators (V)
Front brace knob (K)	ISOFIX buttons (X)
Side cover (L)	ISOFIX connectors (Y)

Allowed and disallowed positioning of Axxkid One car seat

Axxkid One car seat can only be installed rear-facing using ISOFIX. It is approved for use in all i-Size approved seating positions but may also fit in other non i-Size-approved ISOFIX seating positions. Check your vehicle instruction manual to find suitable seating positions and check the vehicle list on www.axxkid.com

Front passenger seat with ISOFIX (no active airbag)	YES/NO*
Front passenger seat with ISOFIX (active airbag)	NO
Rear passenger seat with ISOFIX	YES
Side and rear facing seats with ISOFIX	NO
Seats without ISOFIX	NO



IMPORTANT: If you wish to install your Axxkid One car seat in a location where a frontal airbag is fitted, the airbag must be disconnected according to your vehicle manufacturer instruction. Note that some vehicles require an authorized service center to disconnect the airbag.

* The General Regulation of Traffic in Spain, in its article 117, establishes the prohibition of driving with children of stature equal to or less than 135 centimeters located in the front seats of the vehicle, without exceptions.



Never install a child restraint in a passenger seat where an active airbag is fitted.





Installing Axkid One car seat in the vehicle

1

Before installing Axkid One car seat in your vehicle, minimize its size by releasing the legroom adjustment button (N) and slide the seat towards the front brace (D). Fold down the support-leg (R) until a click can be heard and the support-leg position indicator (P) turns green.

2

Release the front brace release button (C) and fold the front brace (D) towards the seat. Keep holding the front brace (D) with one hand and grab the back handle (O) with the other hand and lift the Axkid One car seat into your vehicle with the front brace (D) first and then turn it to a rear-facing position.

3

Push the ISOFIX connectors (Y) into the ISOFIX connection points in the vehicle until you hear a click and both ISOFIX locking indicators (V) turn green.

4

Let go of the front brace (D) which will start tensioning itself against the vehicle seat. When it stops, turn the front brace knob (K) clockwise until you feel and hear a click, the front brace (D) should now be firmly pressed against the vehicle seat. The front brace knob (K) has a built-in torque limiter and the click indicates that the front brace (D) is tightened correctly and cannot be tightened any more.

5

Push the support-leg button (I) and pull the support-leg (R) downwards until it is in contact with the vehicle floor. Let go of the support-leg button (I) and lift the car seat upwards to further extend the support-leg (R) until you hear a click. The support-leg (R) should now be locked and firmly pressed against the vehicle floor. Note: The Axkid One car seat is equipped with a beeping sound indicator (S) that will keep beeping until the support-leg (R) is firmly pressed against the floor, indicating a correct installation.

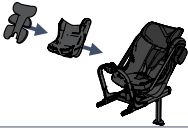


6

Push the ASIP pad (G) into the slots on the ASIP connector (J) and slide downwards, the ASIP pad (G) will click into place. If there is a plastic cover on the ASIP connector (J), remove it and place it on the ASIP connector (J) on the opposite side of the seat before fitting the ASIP pad (G). Make sure the ASIP pad (G) is attached on the side of Axkid One car seat that is closest to the vehicle door.



Restraining your child in Axxkid One car seat

Before restraining your child in the Axxkid One car seat, make sure you have the correct insert installed in the seat. Axxkid One is designed to grow with your child and to ensure a comfortable and safe fit for all children. Axxkid recommends using the relevant insert until it is too tight for your child, but to a minimum length according to table below (note that the age is just an indication):

Age	Height	
Infant 0-6 month (Axxkid One + only)	0 – 60 cm	
Toddler 0-3 years	61 – 105 cm	
Child 3-7 years	106 – 125 cm	

7

Loosen the harness by pressing the harness release button (T) and pull out both shoulder straps (A) at the same time. Avoid pulling only one strap at the time since it may cause the shoulder straps (A) to become uneven.

8

Unlock the buckle by pressing the buckle release button (B) and place the straps outside of the seat.

9

Place your child in the seat and place the shoulder straps (A) over your child's shoulder. Lock the harness by first positioning the parts of the buckle that is attached to the shoulder straps (A) together and then push them into the buckle until you hear a click.

10

Adjust the headrest (E) until the eye level indicators (F) is in line with your child's eyes by pushing both headrest adjustment buttons (M) and slide it upwards or downwards. Note: the eye level indicators (F) shall not be used when using the infant insert (Axxkid One + only). When using Axxkid One + for infants, always make sure that the headrest is in the lowest position.

11

Check that the shoulder straps (A) is going through the seat straight from your child's shoulders or maximum 1 cm above. You might need to adjust the headrest (E) again, even if it makes the eye level indicator get out of line with your child's eyes. Now pull on the shoulder straps (A) to tighten the harness over your child's hips. While keeping tension in the shoulder straps (A), pull the harness tension strap (U) until the harness is tightened enough, you should not be able to fit more than one finger between the shoulder straps (A) and your child's shoulders.



Seat adjustments

After the Axxkid One car seat has been installed in your vehicle you can easily adjust both the legroom and the recline position for your child. This can also be done while your child is restrained in the car seat.

To ensure a good fit in all cars and give the best protection for your child, Axxkid strongly recommends that you use the guided positions marked on the side of the car seat. As your child grows it is important to adjust the recline to a more upright position to give the best possible protection for your child's neck in the case of an accident.

The size indication is based on your child's length. Make sure both arrows points at the correct zone.

Age	Adjustment	
Infant 0-6 month (Axxkid One+ only)	Maximum recline Minimum legroom	<p>0-60 cm</p>
Toddler 0-3 years	All recline positions Several legroom positions	<p>61-105 cm</p>
Child 3-7 years	Maximum upright position Maximum legroom	<p>106-125 cm</p>

Adjusting Axxkid One car seat

- The legroom is adjusted by releasing the legroom adjustment button (N) and sliding the seat forward or backwards. To avoid Axxkid One from accidentally sliding forward, grab the back handle (O) and gently pull it backwards before releasing the legroom adjustment button (N).
- The recline position of the car seat can be adjusted by turning the recline position knob (H).



Removing Axxkid One car seat from your vehicle

- Push the support-leg button (I) and collapse the support-leg (R) to its shortest position.
- Slide the front brace release button (C) and fold the front brace (D) towards the seat to release the tension against the vehicle seat.
- Disconnect the ISOFIX connectors (Y) by pushing down on the ISOFIX buttons (X) and then slide them backwards, away from the vehicle seat.
- Keep holding the front brace (D) with one hand and grab the back handle (O) with the other hand and lift Axxkid One car seat out of your vehicle.
- Fold up the support-leg (R) by pulling the support-leg release strap (Q) and folding the support-leg (R) upwards.

Care and maintenance

- The seat textile cover can be machine washed at 30° C on a gentle cycle. Do not put the cover in a dryer as this can damage the cover and the padding may separate from the fabric. Visit www.axxkid.com to find videos explaining how to remove and attach the cover.
- To remove the textile cover from the seat, pull outwards on the side cover (L) and de-attach the Velcro. Open the zippers at the backrest and gently remove the cover from the seat. Make note how it is attached around the seat to make it easier to put back. When reinstalling the side cover (L), insert it under the aluminum frame and simply push back into the snap attachment. To remove the headrest cover, open the zippers on the bottom of the headrest and gently remove the cover.
- If the seat cover needs replacing, ensure only original products from Axxkid are used. If other products are used, Axxkid One car seat's safety system may be compromised and could lead to severe injury in case of an accident.
- Any plastic parts of Axxkid One car seat can be cleaned with mild detergent and water. Do not use aggressive chemicals containing solvents or similar, as this can cause damage to the plastic and compromise the safety of the car seat.
- All materials used in Axxkid One car seat are recyclable and should be recycled as per your local legislation. Ask your local recycling center for advice when recycling this product.
- The sound indicator (S) contains a replaceable CR1632 battery. Please remove and recycle the battery according to your local legislation when the Axxkid One car seat should no longer be used. Unscrew the two screws at the bottom of the support-leg (R) and remove the cover to gain access to the battery.
- Do not make any modifications or alterations to Axxkid One car seat other than those described in this instruction manual.
- Any repairs must be carried out by the manufacturer or agent.

Warranty

Axkid One car seat is covered by a 24-month warranty from date of purchase. Ensure you save your receipt and bring it to your place of purchase if you have any warranty issues.

The warranty does not cover:

- Normal wear and tear
- Damage due to incorrect use, neglect or accident
- If repairs have been carried out by a third party
- All materials used have a very high UV-resistance rating. However, UV-light is very aggressive and will ultimately lead to fading of the seat cover. This is not covered by our warranty as it is considered normal wear and tear.
- Handle the seat with care. Note that the backside mesh fabric scratches easily and damages other than factory faulty mesh, will not be covered by the warranty.

Vielen Dank, dass Sie sich für den Axkid One entschieden haben

Bitte lesen Sie die Anleitung vor der Installation des Axkid Ones in Ihrem Fahrzeug sorgsam durch. Für weitergehende Informationen und Installationsvideos rufen Sie bitte die Webseite www.axkid.com auf.

Der **Axkid One 2** Autokindersitz ist ein rückwärtsgerichteter Kindersitz, der für Kinder von einer Größe von 61-125cm und einem Maximalgewicht von 23kg zugelassen ist.
Der **Axkid One+ 2** Autokindersitz ist ein rückwärtsgerichteter Kindersitz, der für Kinder von einer Größe von 40-125cm und einem Maximalgewicht von 23kg zugelassen ist.

Der Axkid One ist ein erweiterter i-Size Kindersitz. Er ist nach der UN R129 Richtlinie zur Nutzung auf i-Size kompatiblen Plätzen im Auto gemäß dem Handbuch des jeweiligen Autoherstellers zugelassen. Im Zweifel wenden Sie sich bitte an den Kindersitzhersteller (www.axkid.com) oder Ihren Händler.

Wichtige Informationen

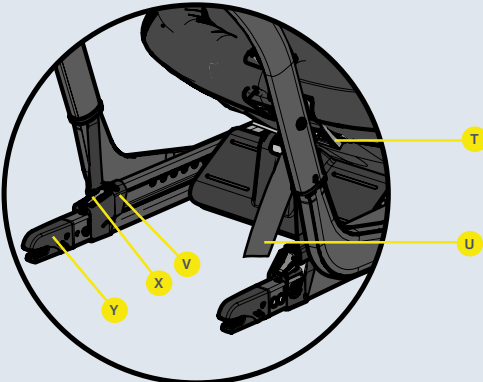
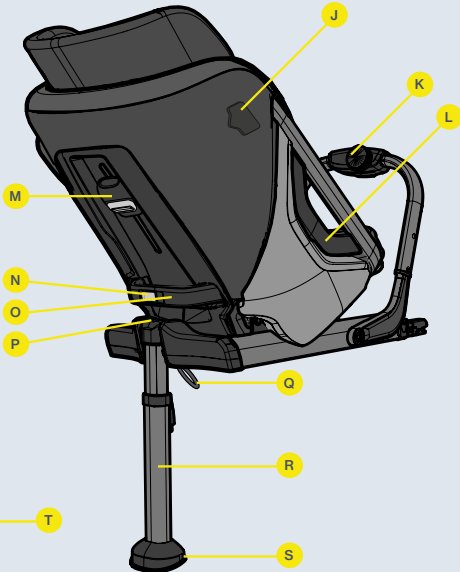
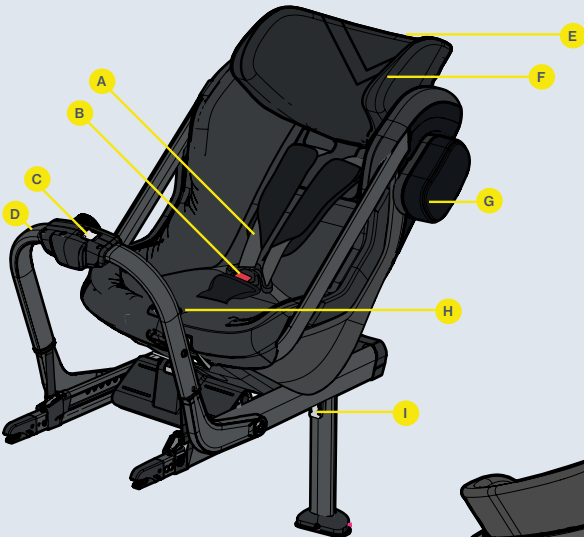
Um die beste Sicherheit für Ihr Kind zu ermöglichen, ist es wichtig, dass Sie die folgenden Punkte beachten:

- Folgen Sie immer der Anleitung. Eine inkorrekte Installation kann die Sicherheit Ihres Kindes gravierend beeinflussen. Sollten Sie sich unsicher sein, wenden Sie sich bitte an Ihren Händler für einen korrekten Einbau und Nutzung.
- Behalten Sie die Gebrauchsanleitung für zukünftiges Nachschlagen. Sollten Sie die Anleitung verloren haben, können Sie sich online unter www.axkid.com finden.
- Nutzen Sie den Axkid One Kindersitz nicht in einer Sitzposition, auf Sitzplätzen, auf denen ein aktiver Frontalairbag eingebaut ist. Wenn Sie den Axkid One auf einem solchen Sitzplatz installieren möchten, muss der Airbag gemäß den Instruktionen des Autoherstellers komplett ausgeschaltet sein.
- Sollten Sie einen Unfall haben, egal wie klein, sollten Sie Ihren Kindersitz immer austauschen. Der Sitz könnte nicht sichtbare Schäden haben, die die Sicherheit Ihres Kindes ernsthaft beeinflussen könnten. Aus diesem Grund rät Axkid vom Kauf von gebrauchten Kindersitzen ab.
- Sollte der Axkid One direktem Sonnenlicht ausgesetzt sein, vergewissern Sie sich bitte, dass der Kindersitz nicht zu heiß ist, bevor Sie Ihr Kind hineinsetzen.
- Lassen Sie Ihr Kind niemals unbeaufsichtigt allein im Auto zurück.
- Vergewissern Sie sich, dass jegliches Gepäck oder lose Gegenstände sicher verstaut sind, da herumfliegende Gegenstände Passagiere im Falle eines Unfalls verletzen können.
- Vergewissern Sie sich, dass der Axkid One so installiert ist, dass keine Teile von beweglichen Sitzen, Autotüren usw. eingeklemmt werden.
- Der Axkid One kann ausschließlich rückwärtsgerichtet installiert werden.
- Sorgen Sie stets dafür, dass der Sicherheitsgurt korrekt an die Statur Ihres Kindes angepasst ist. Die Gurthöhe wird durch die Bewegung der Kopfstütze angepasst.
- Stellen Sie stets sicher, dass der Rücken Ihres Kindes immer komplett im Kindersitz anliegt, wenn Sie Ihr Kind anschnallen.
- Schnallen Sie Ihr Kind stets straff an, stellen Sie sicher, dass das Gurtschloss geschlossen ist und sodass es nicht möglich ist, die Gurte zusammenzukneifen.
- Vergewissern Sie sich, dass die Gurte nicht verdreht sind.
- Der Stützfuß muss immer in der korrekten Position sein und Kontakt mit dem Boden des Fahrzeugs haben. Prüfen Sie, ob der Indikator auf dem Stützfuß grün anzeigt, und dass Sie keinen Piepton vom Stützfuß hören.
- Versuchen Sie niemals einen Teil vom Axkid One abzubauen oder baulich zu verändern. Die Garantie und die Sicherheitsfunktionen des Kindersitzes können davon maßgeblich beeinflusst werden.
- Benutzen Sie niemals der Axkid One Kindersitz ohne den Kindersitzbezug. Der Bezug ist ein fester Sicherheitsbestandteil des Sitzes und kann nur durch einen original Axkid Kindersitzbezug ersetzt werden.
- Lesen Sie das Handbuch Ihres Fahrzeugs sorgfältig durch, um zu überprüfen, welcher Sitzplatz für den Kindersitz geeignet ist.
- Axkid empfiehlt stets einen Trittschutz zu nutzen, um den Autositz vor Kratzern und Dreck zu schützen.
- Sollten Sie Fragen haben, wenden Sie sich an Ihren Händler, bei dem Sie den Kindersitz gekauft haben, oder kontaktieren Sie Axkid unter info@axkid.com.

Inhaltsverzeichnis

Komponenten	24
Erlaubte und unerlaubte Sitzpositionen des Axxid One Kindersitz	26
Installation des Axxid One im Fahrzeug	27
Neigungsverstellung des Axxid One Kindersitzes	28
Sitzverstellungen	29
Sitzanpassungen	29
Ausbau des Axxid One aus Ihrem Fahrzeug	30
Pflege und Wartung	30
Garantie	31

Komponenten



Schultergurte (A)	Kopfstützenverstellung (M)
Gurtschloss (B)	Beinfreiheitsverstellungsknopf (N)
Überrollbügelauflöser (C)	Rückseitiger Griff (O)
Überrollbügel (D)	Stützfußpositionsanzeiger (P)
Kopfstütze (E)	Stützfußlöseband (Q)
Augenhöhe Markierung (F)	Stützfuß (R)
ASIP pad (G)	Tonindikator (S)
Neigungsverstellungsknopf (H)	Gurtlöseknopf (T)
Stützfußverstellknopf (I)	Gurtstraffer (U)
ASIP Konnektor (J)	ISOFIX Verriegelungsindikator (V)
Überrollbügelknopf (K)	ISOFIX Knopf (X)
Seitlicher Bezug (L)	ISOFIX Konnektoren (Y)

Erlaubte und unerlaubte Sitzpositionen des Axxkid One Kindersitz

Der Axxkid One Kindersitz kann ausschließlich rückwärtsgerichtet und mit ISOFIX eingebaut werden. Er ist für alle i-Size geprüften Sitzplätze zugelassen und passt möglicherweise auch auf nicht-i-Size geprüfte Sitzplätzen. Überprüfen Sie das Bordhandbuch Ihres Fahrzeugs, um einen passenden Platz für den Kindersitz zu finden. Überprüfen Sie ebenfalls die Fahrzeugliste auf www.axkid.com.

Beifahrersitz mit ISOFIX (deaktivierter Airbag)	JA/NEIN*
Beifahrersitz mit ISOFIX (aktivierter Airbag)	NEIN
Rücksitzbanksitzplatz mit ISOFIX	JA
Seitlich oder rückwärtsgerichtete Autositze mit ISOFIX	NEIN
Autositz ohne ISOFIX	NEIN



WICHTIG: Wenn Sie Ihren Axxkid One auf einem Autositz installieren wollen, für den ein Frontalairbag installiert ist, muss der Airbag gemäß den Autoherstellerangaben deaktiviert werden. Bitte beachten Sie, dass manche Fahrzeuge dazu eine offizielle Werkstatt benötigen.

* Die allgemeine Verkehrsregelung in Spanien sieht in ihrem Artikel 117 das Verbot vor, mit Kindern mit einer Körpergröße von höchstens 135 Zentimetern auf den Vordersitzen des Fahrzeugs zu fahren, mit Ausnahmen.



Verwenden Sie den Kindersitz niemals auf Sitzplätzen mit aktiven Airbags.





Installation des Axkid One im Fahrzeug

1

Bevor Sie den Axkid One Kindersitz in Ihrem Fahrzeug installieren, minimieren Sie seinen Platzbedarf indem Sie den Beinfreiheitsverstellungsknopf (N) drücken und den Sitz in Richtung des Überrollbügels (D) bewegen. Klappen Sie den Stützfuß (R) herunter bis Sie ein Klick hören und der Stützfußpositionsanzeiger (P) grün ist.

2

Lösen Sie den Überrollbügelauslöser (C) und bewegen den Überrollbügel (D) in Richtung des Kindersitzes. Halten Sie den Überrollbügel (D) weiterhin mit einer Hand fest und greifen mit der anderen Hand den rückseitigen Griff (O) und heben den Axkid One in Ihr Fahrzeug mit dem Überrollbügel (D) zuerst. Drehen Sie den Sitz dann in eine rückwärtsgerichtete Position in Ihrem Fahrzeug.

3

Drücken Sie die ISOFIX Konnektoren (Y) in die ISOFIX Verankerungen Ihres Fahrzeugs bis Sie ein Klick hören und beide ISOFIX Verriegelungsindikatoren (V) grün anzeigen.

4

Lassen Sie den Überrollbügel (D) los, der sich dann von selbst in Richtung des Autositzes spannen wird. Sobald er stoppt, drehen Sie den Überrollbügelknopf (K) im Uhrzeigersinn bis Sie ein Klick hören. Der Überrollbügel (D) sollte fest gegen den Autositz gepresst sein. Der Überrollbügelknopf (K) hat einen eingebauten Drehmomentbegrenzer und das Klick-Geräusch weißt darauf hin, dass der Überrollbügel (D) korrekt festgespannt wurde und nicht weiter spannbar ist.

5

Drücken Sie den Stützfußverstellungsknopf (I) und ziehen Sie den Stützfuß (R) soweit herunter, bis der den Fahrzeugboden berührt. Lassen Sie den Stützfußverstellungsknopf (I) los und heben den Kindersitz hoch, um den Stützfuß (R) weiter auszufahren bis Sie ein Klick hören. Der Stützfuß (R) sollte nun verriegelt sein und fest auf dem Fahrzeugboden stehen. Bemerkung: Der Axkid One Kindersitz ist mit einem Tonindikator (S) ausgestattet, der piept, bis der Stützfuß (R) fest auf dem Fahrzeugboden steht und damit die korrekte Installation anzeigt.

6

Drücken Sie das ASIP Pad (G) in die Aussparungen des ASIP Konnektors (J) und schieben es nach unten, bis das ASIP Pad (G) einklickt. Sollte eine Plastikkappe auf dem ASIP Konnektor (J) angebracht sein, nehmen Sie diese ab und setzen es auf den ASIP Konnektor (J) auf der gegenüberliegenden Seite des Kindersitzes, bevor Sie das ASIP Pad (G) anbringen. Vergewissern Sie sich, dass das ASIP Pad (G) auf der Seite angebracht wird, die sich am nächsten zur Fahrzeughür befindet.



Neigungsverstellung des Axxkid One Kindersitzes

Bevor Sie den Neigungswinkel für Ihr Kind im Axxkid One verstellen, stellen Sie sicher, dass die korrekten Inlays im Kindersitz genutzt werden. Der Axxkid One ist design, um mit Ihrem Kind mitzuwachsen und Ihrem Kind Sicherheit und Bequemlichkeit zu gewährleisten.

Axxkid empfiehlt Ihnen, das relevante Inlay zu nutzen, bis es zu eng für Ihr Kind ist, aber mindestens bis zur minimalen Länge gemäß der untenstehenden Tabelle (bitte beachten Sie, dass das Alter nur einen Anhaltspunkt sein soll).

Alter	Größe	
Baby 0-6 Monate (ausschließlich Axxkid One +)	0 – 60 cm	
Kleinkind 0-3 Jahre	61 – 105 cm	
Kind 3-7 Jahre	106 – 125 cm	

7

Lockern Sie den Gurt indem Sie den Gurtlöseknopf (T) drücken und ziehen Sie beide Schultergurte (A) gleichzeitig heraus. Vermeiden Sie es, nur einen Schultergurt (A) herauszuziehen, weil die Schultergurte (A) sonst ungleichmäßig sein könnten.

8

Drücken Sie das Gurtschloss (B) öffnen es und legen Sie die Schultergurte (A) nach aussen über die Seitenwangen des Kindersitzes.

9

Setzen Sie Ihr Kind in den Kindersitz und platzieren die Schultergurte (A) über die Schultern Ihres Kindes. Schließen Sie das Gurtschloss (B), indem Sie zuerst indem die Teile des Gurtschlusses, die an den Schultergurten (A) befestigt sind, zusammenführen und in das Gurtschloss (B) zusammen einführen, bis Sie ein Klick hören.

10

Passen Sie die Kopfstütze (E) an, bis die Augenhöhe Markierungen (F) auf gleicher Höhe, wie die Augen Ihres Kindes sind, indem Sie die Kopfstützenverstellung (M) drücken und nach oben oder unten schieben. Bemerkung: die Augenhöhe Markierungen (F) sollen nicht beachtet werden, wenn der Babyeinsatz (nur beim Axxkid One +) genutzt wird. Wenn Sie ein Axxkid One + für Babys mit dem Babyeinsatz nutzen, stellen Sie die Kopfstütze (E) immer in die niedrigste Position.

11

Überprüfen Sie, dass die Schultergurte (A) gerade auf Schulterhöhe Ihres Kindes oder maximal 1cm höher aus dem Sitz kommen. Sie müssen möglicherweis die Kopfstütze (E) noch einmal anpassen, auch wenn die Augenhöhe Markierungen (F) dann nicht mehr mit der tatsächlichen Augenhöhe Ihres Kindes übereinstimmen. Ziehen Sie nun die Schultergurte (A) fest, um die Gurte, die über der Hüfte Ihres Kindes verlaufen, festzuziehen. Halten Sie die Schultergurte (A) gespannt während Sie nun den Gurtstraffer (U) ziehen, bis die Gurte eng genug sind. Es sollte nicht



mehr möglich sein, mehr als einen Finger zwischen die Schultergurte (A) und die Schultern Ihres Kindes zu bringen.

Sitzverstellungen

Nachdem Sie den Axkid One in Ihrem Fahrzeug installiert haben, können Sie die Beinfreiheit und die Neigungsverstellung für Ihr Kind sehr einfach verstellen. Sie können diese Einstellungen auch vornehmen, wenn Ihr Kind angeschnallt im Kindersitz sitzt.

Axkid empfiehlt für einen passenden Einbau und die beste Sicherheit für Ihr Kind, dass Sie sich an den am Kindersitz seitlich angebrachten Positionen orientieren. Es ist wichtig, dass Sie den Sitz an den Wachstumsprozess Ihres Kindes anpassen, indem Sie die Neigungspositionen immer aufrechter einstellen, da eine aufrechte Position den best möglichen Schutz für den Nacken Ihres Kindes im Falle eines Unfalls bietet. Die Größenangaben richten sich nach der Körpergröße Ihres Kindes. Vergewissern Sie sich, dass sich beide Pfeile in der korrekten Zone befinden.

Alter	Größe	
Baby 0-6 Monate (nur beim Axkid One +)	Maximale Neigung Geringste Beinfreiheit	<p>0-60 cm</p>
Kleinkind 0-3 Jahre	Alle Neigungspositionen Mehrere Beinfreiheitspositionen	<p>61-105 cm</p>
Kind 3-7 Jahre	Maximal aufrechte Position Größt mögliche Beinfreiheit	<p>106-125 cm</p>

Sitzanpassungen

- Drücken Sie den Beinfreiheitsverstellungsknopf (N) und schieben Sie den Sitz vorwärts oder rückwärts. Halten Sie den Axkid One am rückseitigen Griff (O) fest, um zu vermeiden, dass der Kindersitz sich aus Versehen vorwärts bewegt, bevor Sie den Beinfreiheitsverstellungsknopf (N) drücken.



- Die Neigungsposition des Kindersitzes kann über Drehen des Neigungsverstellknopfes (H) angepasst werden.

Ausbau des Axxkid One aus Ihrem Fahrzeug

- Drücken Sie den Stützfußverstellknopf (I) und schieben den Stützfuß (R) in die kürzeste Position zusammen.
- Schieben Sie den Überrollbügelgelausen (C) zur Seite und bewegen den Überrollbügel (D) in Richtung des Kindersitzes, um die Spannung gegen den Fahrzeugsitz zu lösen.
- Lösen Sie die ISOFIX Konnektoren (Y), indem Sie die ISOFIX Knöpfe (X) drücken und sie rückwärts vom Autositz weg herausziehen.
- Halten Sie den Überrollbügel (D) weiter mit einer Hand und fassen mit der anderen Hand den rückseitigen Griff (O) und heben den Axxkid One aus Ihrem Fahrzeug heraus.
- Klappen sie den Stützfuß (R) nach oben, indem Sie das Stützfußlöseband (Q) ziehen und dann den Stützfuß (R) hoch klappen.

Pflege und Wartung

- Der Kindersitzbezug kann bei 30 ° Grad im Schonwaschgang gewaschen werden. Geben Sie den Bezug nicht in den Trockner, da der Bezug beschädigt werden könnte und Polsterungen sich vom Bezug lösen könnten. Auf www.axxkid.com finden Sie Anleitungsvideos, wie der Bezug auf- und abgezogen werden kann.
- Um den Bezug vom Kindersitz abziehen, ziehen Sie den seitlichen Bezug (L) vom Sitz ab und nehmen lösen den Klettverschluss. Öffnen Sie die Reißverschlüsse auf der Rückseite des Kindersitzes und nehmen den Bezug vorsichtig vom Kindersitz ab. Versuchen Sie sich zu merken, wie der Bezug am Kindersitz befestigt ist, sodass das Aufziehen einfacher wird. Beim Wiederaufziehen des seitlichen Bezuges (L) führen Sie es unter dem Aluminiumrahmen durch und drücken ihn zurück in Befestigung. Um den Kopfstützenbezug zu entfernen, öffnen Sie die Reißverschlüsse unten an der Kopfstütze und entfernen den Bezug vorsichtig.
- Sollte es notwendig sein, dass Sie den Bezug ersetzen müssen, vergewissern Sie sich bitte, dass Sie einen Originalbezug von Axxkid erwerben. Sollten Sie einen anderen Bezug nutzen, ist die Sicherheit des Axxkid Ones möglicherweise beeinträchtigt und dies könnte zu einer schweren Verletzung im Falle eines Unfalls führen.
- Alle Plastikteile des Axxkid One Kindersitzes können mit einem milden Reinigungsmittel und Wasser gereinigt werden. Nutzen Sie keine aggressiven chemischen Reiniger, die das Plastik des Sitzes schädigen könnten und so die Sicherheit des Kindersitzes beeinträchtigen können.
- Alle Materialien des Axxkid Ones sind recyclebar und sollte nach den local geltenden Richtlinien recycled werden. Fragen Sie bei Ihrem lokalen Recyclingcenter nach, wenn Sie den Sitz recyceln wollen.
- Der Tonindikator (S) beinhaltet eine ersetzbare CR1632 Batterie. Bitte entfernen und recyceln Sie die Batterie gemäß der local geltenden Richtlinien, wenn Sie den Axxkid One nicht mehr nutzen möchten. Schrauben Sie dazu die beiden Schrauben unten am Stützfuß (R) heraus und entfernen Sie en Deckel, um an die Batterien heranzukommen.
- Führen Sie keine Veränderungen oder Anpassungen am Axxkid One, die nicht in dieser Bedienungsanleitung beschrieben sind.
- Jegliche Reparaturen müssen vom Hersteller oder einem vom Hersteller autorisierten Händler durchgeführt werden.

Garantie

Für den Axxid One wird eine 24-monatige Herstellergarantie ab Kaufdatum gewährt. Vergewissern Sie sich, dass Sie den Kaufbeleg aufheben und bringen Sie den Beleg zu Ihrem Händler mit, wenn Sie Garantieansprüche geltend machen wollen.

Die Garantie beinhaltet nicht:

- Normale Abnutzung
- Schäden aufgrund von Fehlnutzung, Nachlässigkeit oder Unfällen.
- Reparaturen, die von nicht autorisierten Personen durchgeführt wurden.
- Alle Materialien haben eine sehr hohe UV-Beständigkeit. Trotzdem ist UV-Licht sehr aggressive und führt letztlich zu einem Ausbleichen des Sitzbezuges. Diese Ausbleichen ist von unserer Herstellergarantie ausgeschlossen, da es eine normale Abnutzung ist.
- Nutzen Sie den Sitz vorsichtig. Beachten Sie, dass der Mesh-Stoff auf der Rückseite des Kindersitzes sich schnell aufkratzt und Schäden daran, die nicht seitens der Herstellung verursacht sind, von unserer Herstellergarantie ausgeschlossen sind.